



NEW ENGLAND

FOREST RALLY



Maine Regional Rally
New Hampshire Regional Rally

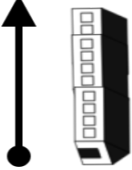

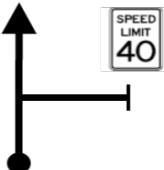

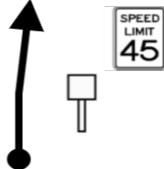
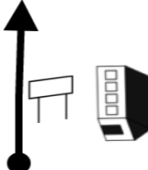
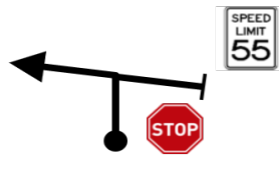
July 30-31, 2021

Shakedown

Round 5 of the

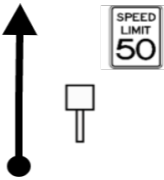
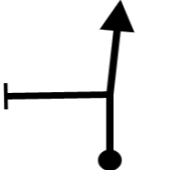
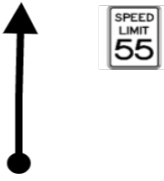
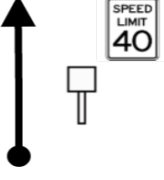
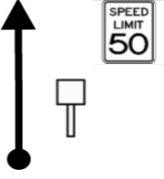
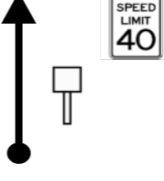
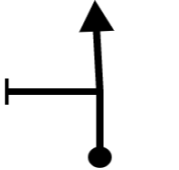


National Championship Series

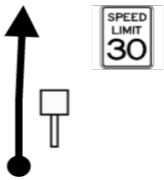
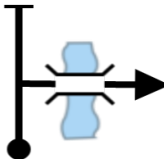
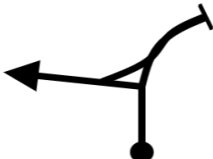
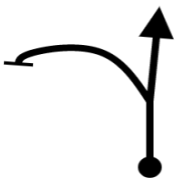

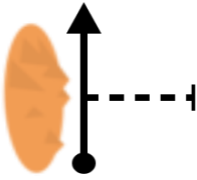
From TC 0 Sunday River Service		DISTANCE: 21.17 Mi		DAY:	
To TC 0 Shakedown		AVERAGE: 0.0 mph		SECTION:	
				TIME ALLOWED: min	
DISTANCE		DIRECTION	INFORMATION	DISTANCE REGRESS	
TOTAL	PARTIAL				
0.00	0.00	 1	South Ridge Welcome Center	21.17	
0.11	0.11	 2	Zero at "Stop" opposite River Haus & Well Restaurant on ththe Left	21.06	
0.62	0.62	 3	Grand Summit "Summit Rd."	20.44	
1.11	0.49	 4	Stay Right On Main Road	19.95	
1.36	0.25	 5	Speed Limit 45mph	19.70	
2.75	1.39	 6	"Savage River Country Store"	18.31	
3.27	0.52	 7	"Stop" Turn Left Onto Route 2 East Speed Limit 55mph	17.79	

PROXIMA NOTA
PROCH NOTE
NEXT NOTE

2.88

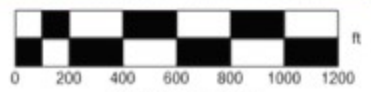
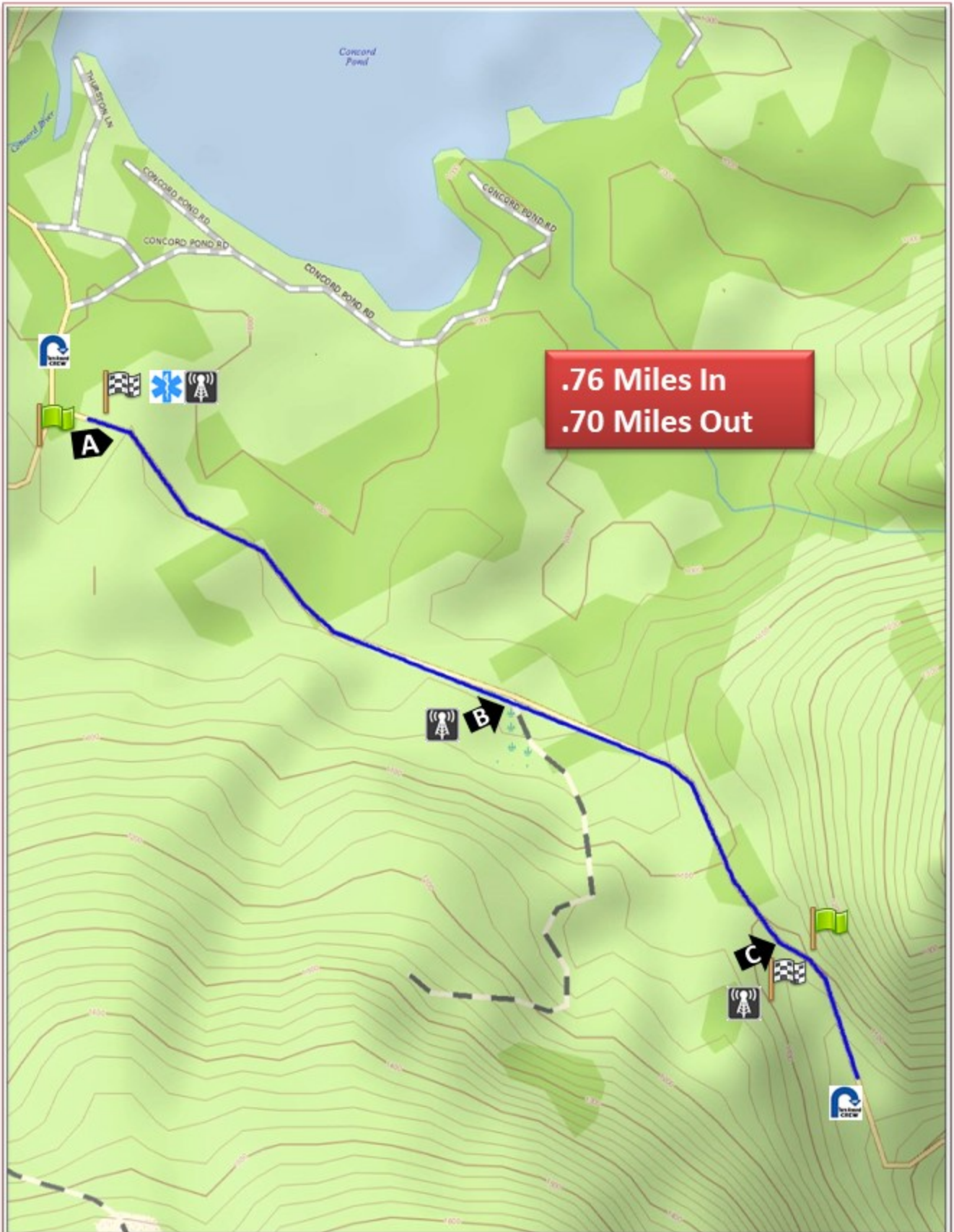
From TC 0 Sunday River Service		DISTANCE: 21.17 Mi		DAY:	
To TC 0 Shakedown		AVERAGE: 0.0 mph		SECTION:	
				TIME ALLOWED: min	
DISTANCE		DIRECTION	INFORMATION	DISTANCE REGRESS	
TOTAL	PARTIAL				
6.15	2.88	 8	Speed Limit 50mph	14.91	
6.33	0.17	 9	Past Route 26	14.74	
6.47	0.15	 10	Speed Limit 55mph	14.59	
11.18	4.71	 11	Observe Frequent Speed Changes Between Here & Stage Start	9.88	
11.77	0.59	 12	Speed Limit 50mph	9.29	
12.39	0.61	 13	Speed Limit 40mph	8.68	
12.49	0.11	 14	Past Route 5 on your Left	8.57	

PROXIMA NOTA 0.30
 PROCH NOTE
 NEXT NOTE

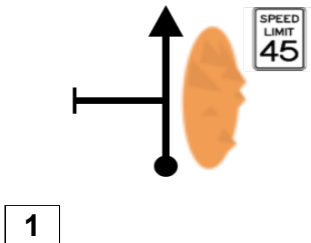
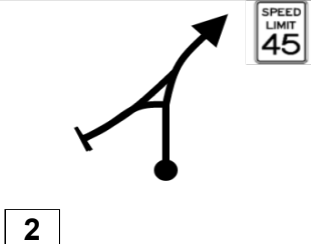
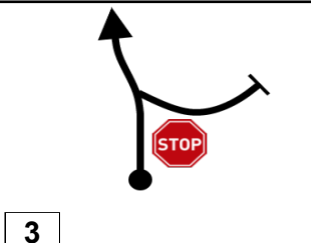
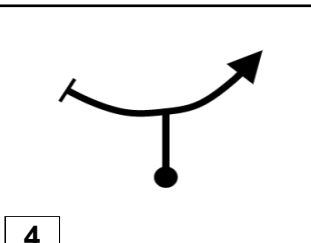
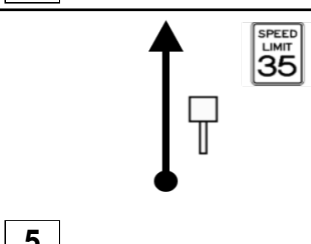
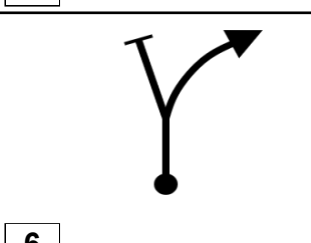
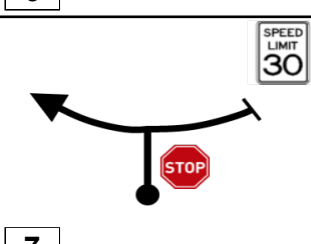
From TC 0 Sunday River Service		DISTANCE: 21.17 Mi		DAY:	
To TC 0 Shakedown		AVERAGE: 0.0 mph		SECTION:	
				TIME ALLOWED: min	
DISTANCE		DIRECTION	INFORMATION	DISTANCE REGRESS	
TOTAL	PARTIAL				
12.80	0.30	 15	Speed Limit 30mph		8.27
13.05	0.26	 16	Turn Right onto Rt 232 Over Bridge		8.01
15.73	2.68	 17	Turn Left onto S. Rumford Rd.		5.33
16.20	0.47	 18	Continue straight onto Concord Pond Rd,		4.86
19.07	2.87	 19	Keep Left to stay on Concord Pond Road		1.99
21.06	1.99	 20	Shagg Pond Rd.		0.00

Please use your Jemba
supplied notes for this
shakedown.

NEFR 2021 Shag Pond In & Out Shakedown

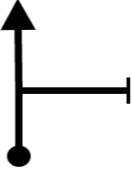
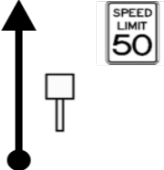
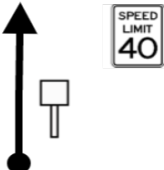
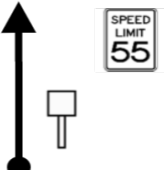
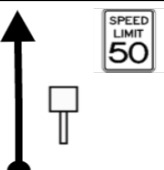
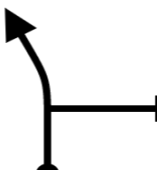
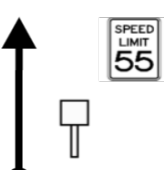


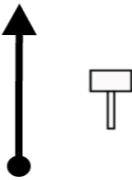

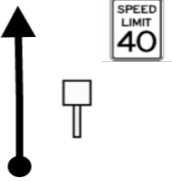

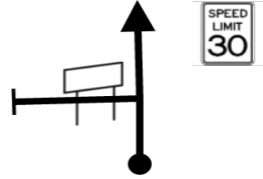

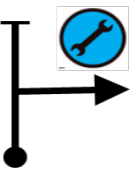
Data Zoom 15-0

From TC 0 Shake Down		DISTANCE: 20.85 Mi		DAY:	
To TC 0 Sunday River Service		AVERAGE: 25.02 mph		SECTION:	
				TIME ALLOWED: 50 min	
DISTANCE		DIRECTION	INFORMATION	DISTANCE REGRESS	
TOTAL	PARTIAL				
0.00	0.00	 <p>1</p>	Leave Shagg Pond Rd area	20.85	
1.98	1.98	 <p>2</p>	"Yield" Speed Limit 45mph	18.87	
4.86	2.88	 <p>3</p>	"Stop" Stay Straight At Intersection	15.99	
5.34	0.48	 <p>4</p>	"Yield" Right Onto Rt. 232	15.51	
7.17	1.83	 <p>5</p>	Speed Limit 35mph	13.68	
7.48	0.31	 <p>6</p>	Keep Right At Fork	13.37	
8.02	0.54	 <p>7</p>	Turn Left onto Route 2 West Speed Limit 30mph	12.83	

PROXIMA NOTA
PROCH NOTE
NEXT NOTE

0.55

From TC 0 Shake Down		DISTANCE:		DAY:		
To TC 0 Sunday River Service		20.85 Mi		SECTION:		
		AVERAGE:		TIME ALLOWED:		
		25.02 mph		50 min		
DISTANCE		DIRECTION	INFORMATION	DISTANCE REGRESS		
TOTAL	PARTIAL					
8.57	0.55	 8	Past Route 5 on Right	12.28		
8.65	0.08	 9	Speed Limit 50mph (Follow many speed changes)	12.20		
9.30	0.65	 10	Speed Limit 40mph	11.55		
9.88	0.58	 11	Speed Limit 55mph	10.97		
14.57	4.69	 12	Speed Limit 50mph	6.28		
14.73	0.16	 13	Past Route 26	6.12		
14.91	0.18	 14	Speed Limit 50mph	5.94		

From TC 0 Shake Down		DISTANCE:		DAY:		
To TC 0 Sunday River Service		20.85 Mi		SECTION:		
		AVERAGE:		TIME ALLOWED:		
		25.02 mph		50 min		
DISTANCE		DIRECTION	INFORMATION	DISTANCE REGRESS		
TOTAL	PARTIAL					
16.48	1.57	 <div style="border: 1px solid black; padding: 2px; width: fit-content; margin-left: 20px;">15</div>	<p>Maine DOT Bethel Lot</p>	4.37		
17.78	1.30	 <div style="border: 1px solid black; padding: 2px; width: fit-content; margin-left: 20px;">16</div>	<p>Turn Right Onto Sunday River Rd</p> <p>Speed Limit 45mph</p>	3.07		
19.68	1.90	 <div style="border: 1px solid black; padding: 2px; width: fit-content; margin-left: 20px;">17</div>	<p>Speed Limit 40mph</p>	1.17		
19.89	0.21	 <div style="border: 1px solid black; padding: 2px; width: fit-content; margin-left: 20px;">18</div>	<p>Keep Left To Stay On Sunday River Rd</p>	0.96		
20.43	0.54	 <div style="border: 1px solid black; padding: 2px; width: fit-content; margin-left: 20px;">19</div>	<p>Past "Grand Summit"</p> <p>Speed Limit 30mph</p>	0.42		
20.83	0.40	 <div style="border: 1px solid black; padding: 2px; width: fit-content; margin-left: 20px;">20</div>	<p>Turn Right into Lower Service Area Lot 5 (if you are servicing in this location)</p>	0.02		
20.85	0.02	 <div style="border: 1px solid black; padding: 2px; width: fit-content; margin-left: 20px;">21</div>	<p>Turn Right into Upper Service Area Lot 2 (if you are servicing in this location)</p>	0.00		